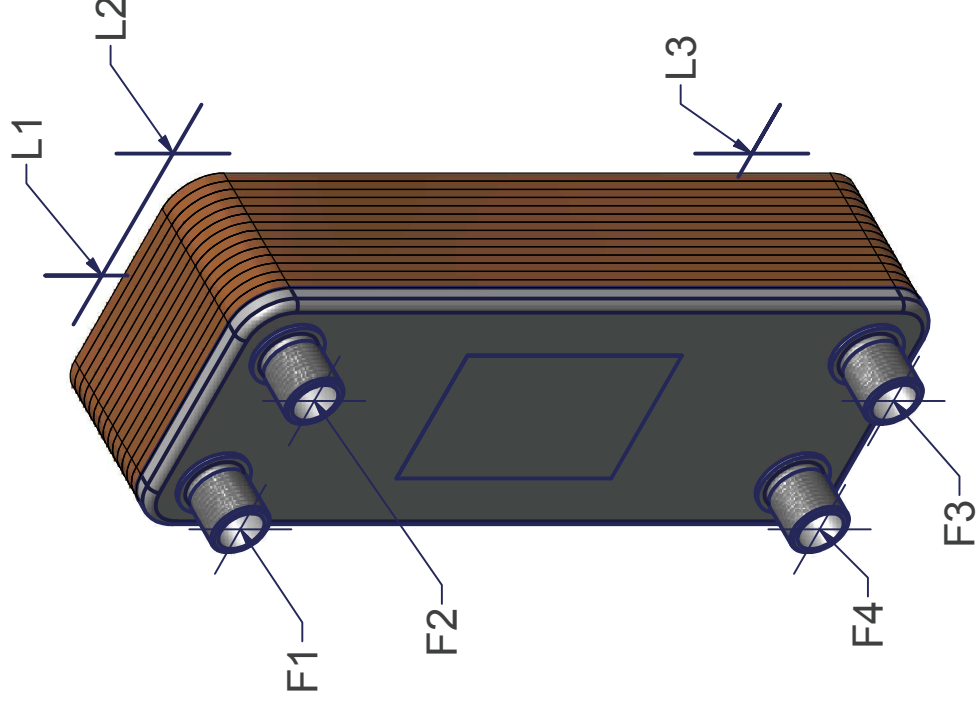
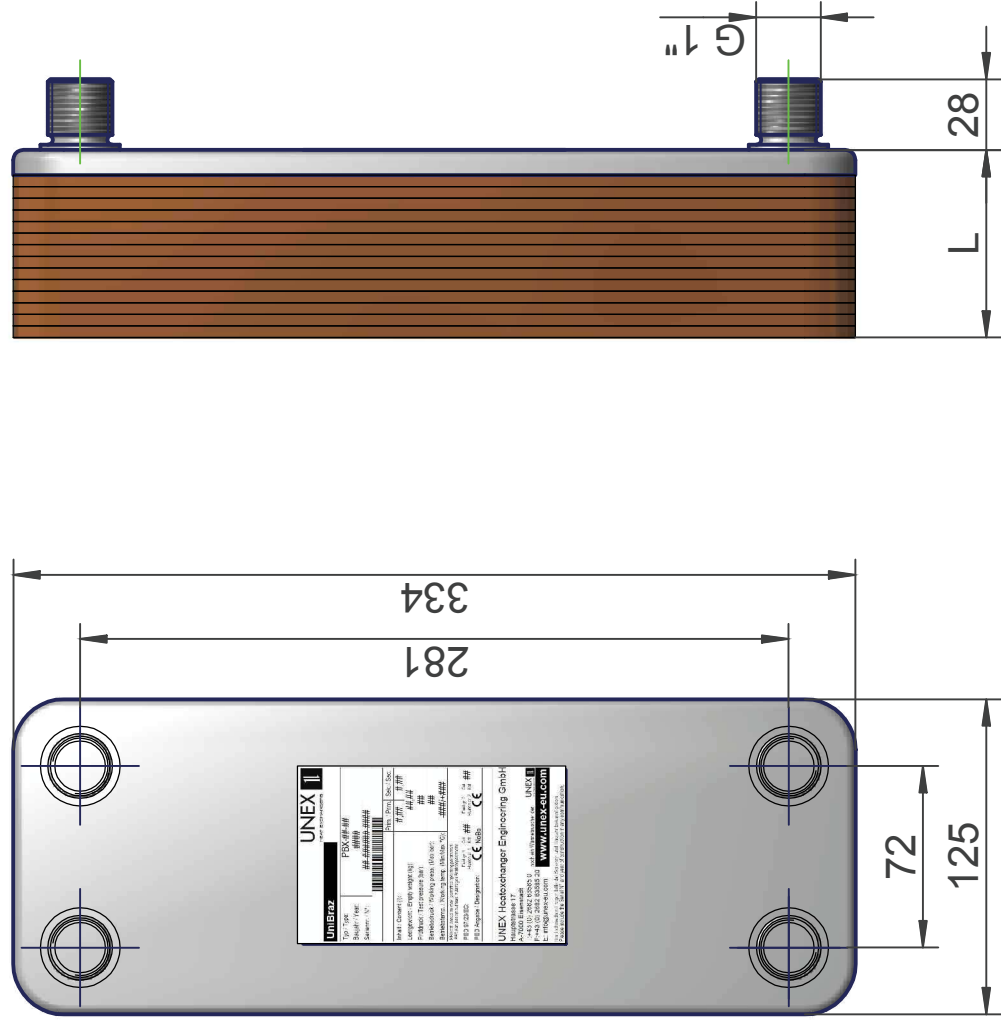


Side 1

Side 2



Exchanger connection options	
Standard	G 1" - 28mm long
Alternative	G5/4", HEX, Solder
Other	On request
Additional	On rear positions L1 to L4
Studs & Bolts	On request

Insulation options

Aluminium coated PU foam
Heating applications to +150°C



Self-adhesive rubberised
Cooling applications -50 to +105°C



Mounting options

Wall Connection Set
Simple, compact & professional mount using the exchanger connections



Angled Wall Bracket
"L" bracket including strap & screws



Detachable pipe connection options

VER 20
From G1" to DN20 weld (2 pcs/set)



VER 22
From G1" to 22 mm solder (2 pcs/set)



VER 3/4
From G1" to 3/4" thread (2 pcs/set)



VEROR1
From G1" to 1" thread - reduction-free (2 pcs/set)



Where appropriate the following European standards and regulations were used during design and construction:

- 97/23/EC (Pressure Equipment Directive)
 - EN 1148 (Water to water heat exchangers for district heating)
 - EN 10272 (Stainless steel bars used for pressure purposes)
 - EN 10028-7 (Stainless steel flat products used for pressure purposes)
- Please ask your sales partner if you require other standards or certification to be applied.

©2014 Errors, Omissions and Technical Alterations excepted

Material : 1.4301 (304) / 1.4404 (316L) / Cu 99.9%



UNEX Heatexchanger Engineering GmbH
Hauptstrasse 17
A-7000
Eisenstadt
Austria

www.unex-eu.com
info@unex-eu.com
Tel: + 43 (0) 2682 635 85 0
Fax: + 43 (0) 2682 635 85 20

Scale

M 1:3 (A3)

Amount of plates	10	14	20	24	30	34	40	44	50	60	70	80	90	100	110	120	130	140	150
Volume Side 1 (l)*	0.29	0.44	0.66	0.80	1.02	1.17	1.39	1.53	1.75	2.12	2.48	2.85	3.21	3.58	3.94	4.31	4.67	5.04	5.40
Volume Side 2 (l)*	0.37	0.51	0.73	0.88	1.10	1.24	1.46	1.61	1.83	2.19	2.56	2.92	3.29	3.65	4.02	4.38	4.75	5.11	5.48
Max working pressure (bar)	30																		
Min / Max temperature (°C)	-195 / +195																		
PED Class Group 1 (Category)	SEP																		
PED Class Group 2 (Category)	I																		
Plate packet depth L (mm)*	32.0	41.2	55.0	64.2	78.0	87.2	101.2	110.2	124.0	147.0	170.0	193.0	216.0	239.0	262.0	285.0	308.0	331.0	354.0
Net Weight Empty (kg)	2.7	3.1	3.8	4.2	4.9	5.3	6.0	6.5	7.1	8.3	9.4	10.5	11.6	12.7	13.9	15.0	16.1	17.2	18.3
Heat Transfer Area (m ²)	0.36	0.54	0.81	0.99	1.26	1.44	1.71	1.89	2.16	2.61	3.06	3.51	3.96	4.41	4.86	5.31	5.76	6.21	6.66

* Calculated values (final tolerance to ISO 2768-m)

Status	Change	Date	Name
Drawn by	12.08.2014	MPI	Name
Checked by	09.10.2014	DRO	