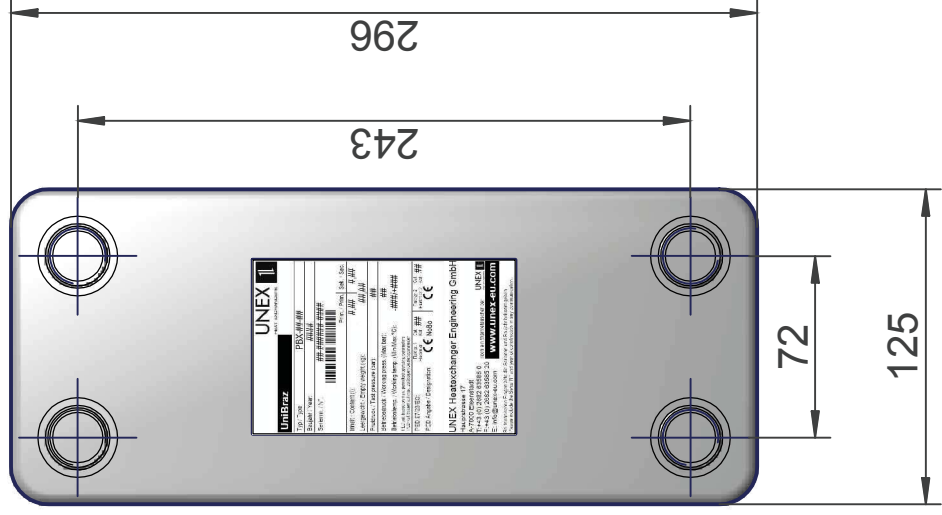
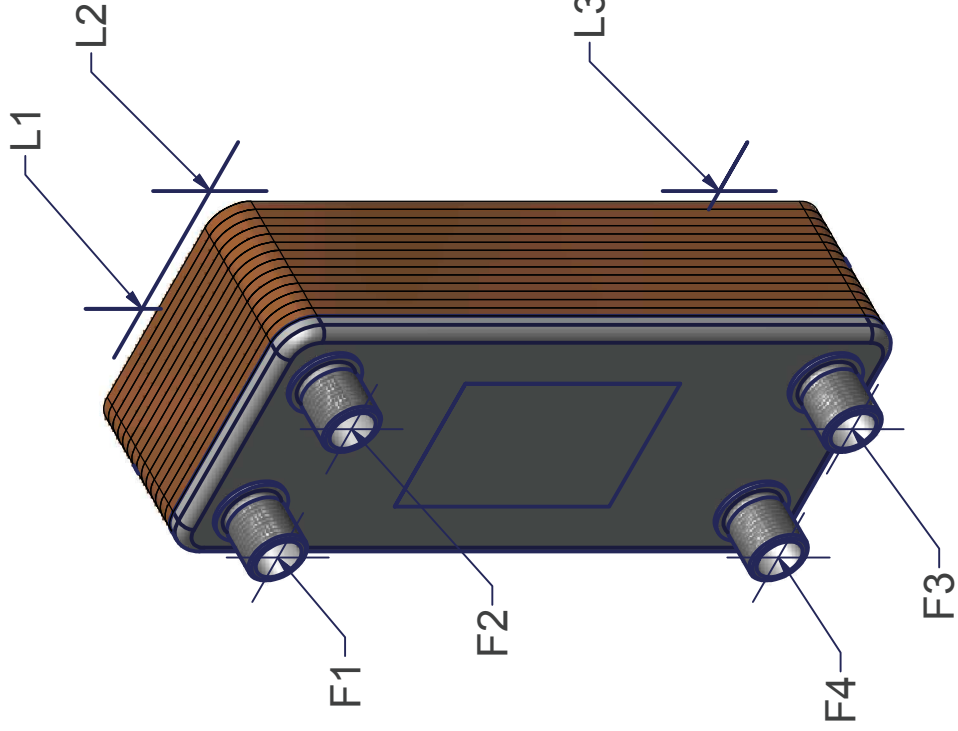
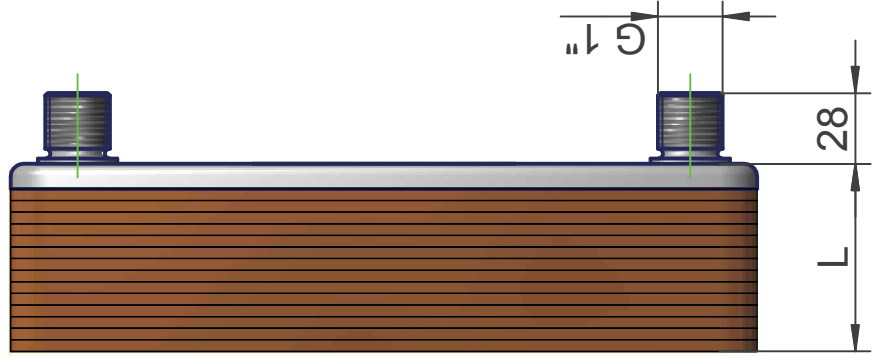


Side 1



Side 2



<b>Exchanger connection options</b>	
<b>Standard</b>	G 1" - 28mm long
<b>Alternative</b>	G5/4", HEX, Solder
<b>Other</b>	On request
<b>Additional</b>	On rear positions L1 to L4
<b>Studs &amp; Bolts</b>	On request

<b>Insulation options</b>		Example picture
<b>Aluminium coated PU foam</b> (peak) Heating applications to +150°C		
<b>Self-adhesive rubberised</b> Cooling applications -50 to +105°C		
<b>Easy-fit shell</b> Heating applications to +135°C		
<b>PROTEX pre-insulated</b> (peak) Heating & cooling applications -50 to +150°C		

<b>Mounting options</b>		Example picture
<b>Wall Connection Set</b> Simple, compact & professional mount using the exchanger connections		
<b>Angled Wall Bracket</b> "L" bracket including strap & screws		

<b>Detachable pipe connection options</b>		Example picture
<b>VER 20</b> From G1" to DN20 weld (2 pcs/set)		
<b>VER 22</b> From G1" to 22 mm solder (2 pcs/set)		
<b>VER 3/4</b> From G1" to 3/4" thread (2 pcs/set)		
<b>VEROR1</b> From G1" to 1" thread - reduction-free (2 pcs/set)		

<b>Where appropriate the following European standards and regulations were used during design and construction:</b>		EN 13445 (Unfired Pressure Vessels)																		
		ISO 2768-m (General tolerances class "m")																		
		ISO 228-1 ("G" Thread BSP parallel)																		
		97/23/EC (Pressure Equipment Directive)																		
		EN 1148 (Water to water heat exchangers for district heating)																		
		EN 10272 (Stainless steel bars used for pressure purposes)																		
		EN 10028-7 (Stainless steel flat products used for pressure purposes)																		
		Please ask your sales partner if you require other standards or certification to be applied.																		
		©2014 Errors, Omissions and Technical Alterations excepted																		
		Material : 1.4301 (304) / 1.4404 (316L) / Cu 99.9%																		
<b>PED Class Group 2 (Category)</b>		I																		
<b>Plate packet depth L (mm)*</b>	32.0	41.2	55.0	64.2	78.0	87.2	101.0	110.2	124.0	147.0	170.0	193.0	216.0	239.0	262.0	285.0	308.0	331.0	354.0	
<b>Net Weight Empty (kg)</b>	2.6	3.1	3.8	4.2	4.9	5.3	6.0	6.4	7.1	8.2	9.4	10.5	11.6	12.7	13.8	15.0	16.1	17.2	18.3	
<b>Heat Transfer Area (m<sup>2</sup>)</b>	0.32	0.48	0.72	0.88	1.12	1.28	1.52	1.68	1.92	2.32	2.72	3.12	3.52	3.92	4.32	4.72	5.12	5.52	5.92	
* Calculated values (final tolerance to ISO 2768-m)																				



UNEX Heatexchanger Engineering GmbH  
Hauptstrasse 17  
A-7000 Eisenstadt  
Austria

Scale  
M 1:3 (A3)

www.unex-eu.com  
info@unex-eu.com  
Tel: + 43 (0) 2682 635 85 0  
Fax: + 43 (0) 2682 635 85 20

Status	Change	Date	Name
Drawn by	12.08.2014	MPI	Name
Checked by	09.10.2014	DRO	Date

PBU10\_STD\_14\_Rev00