



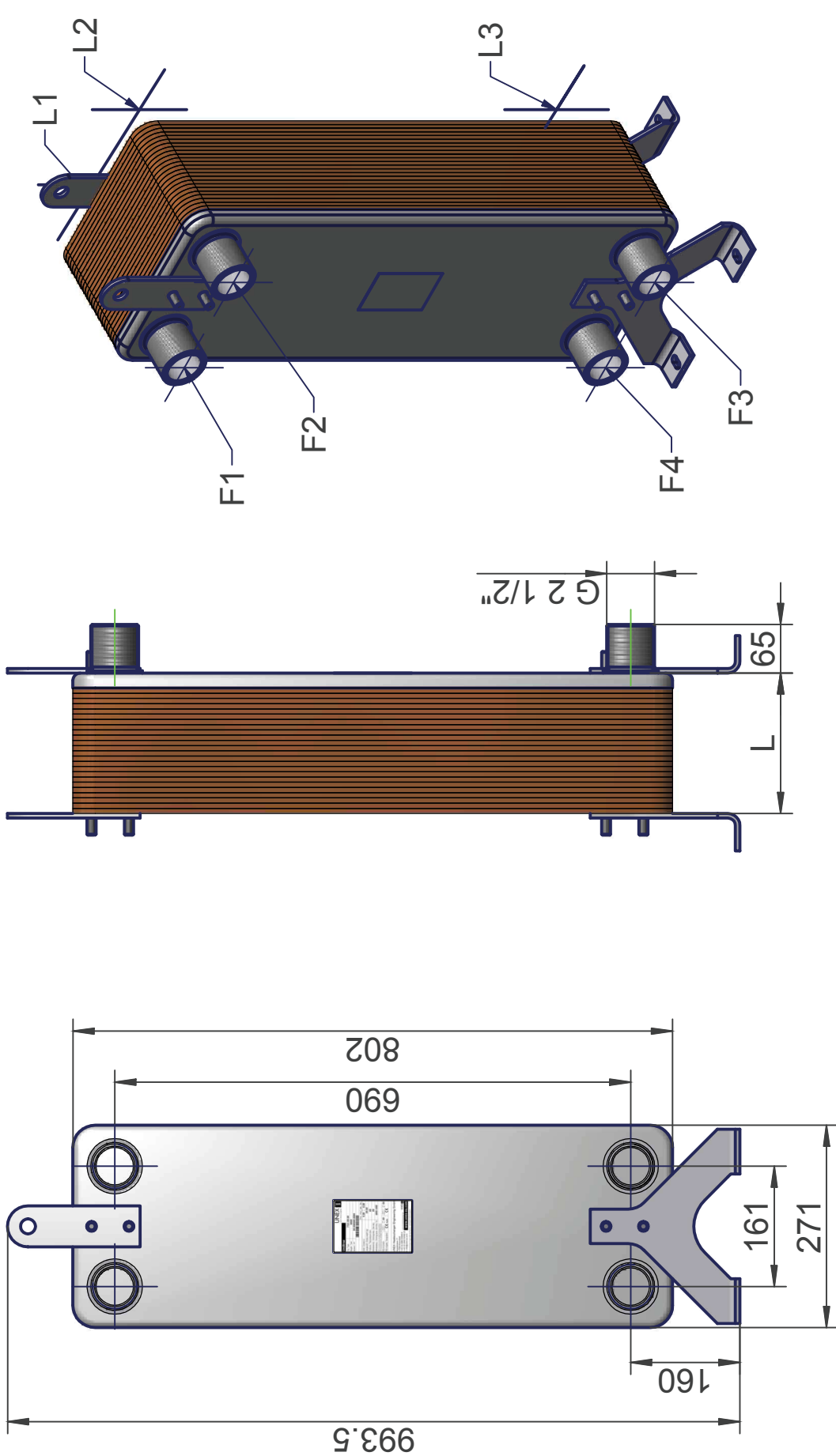


<b>Exchanger connection options</b>	
<b>Standard</b>	G2 1/2" - 65mm long
<b>Alternative</b>	DN65, DN80
<b>Other</b>	On request
<b>Additional</b>	On rear positions L1 to L4
<b>Studs &amp; Bolts</b>	On request

<b>Insulation options</b>	
<b>Aluminium coated PU foam</b> Heating applications to +150°C (peak)	
<b>Self-adhesive rubberised</b> Cooling applications -50 to +105°C	

<b>Exchanger connection options</b>	
<b>Standard</b>	G2 1/2" - 65mm long
<b>Alternative</b>	DN65, DN80
<b>Other</b>	On request
<b>Additional</b>	On rear positions L1 to L4
<b>Studs &amp; Bolts</b>	On request

<b>Insulation options</b>	
<b>Aluminium coated PU foam</b> Heating applications to +150°C (peak)	
<b>Self-adhesive rubberised</b> Cooling applications -50 to +105°C	



<b>Amount of plates</b>	20	24	30	34	40	44	50	60	70	80	90	100	110	120	140	160	180	200	220	240	260	
<b>Volume Side 1 (l)*</b>	3.59	4.39	5.59	6.38	7.58	8.38	9.58	11.57	13.57	15.56	17.56	19.55	21.55	23.54	27.53	31.52	35.51	39.50	43.49	47.48	51.47	
<b>Volume Side 2 (l)*</b>	3.99	4.79	5.99	6.78	7.98	8.78	9.98	11.97	13.97	15.96	17.96	19.95	21.95	23.94	27.93	31.92	35.91	39.90	43.89	47.88	51.87	
<b>Max working pressure (bar)</b>	30																					
<b>Min / Max temperature (°C)</b>	-196/+200																					
<b>PED Class Group 1 (Category)</b>	II											IV**										
<b>PED Class Group 2 (Category)</b>	I											III										
<b>Plate packet depth L (mm)*</b>	57.5	66.7	80.6	89.8	103.7	112.9	126.8	149.9	173.0	196.1	219.2	242.3	265.4	288.5	334.7	380.9	427.1	473.3	519.5	565.7	611.9	
<b>Net Weight Empty (kg)</b>	27.5	30.7	35.5	38.7	43.5	46.7	51.5	59.5	67.5	75.5	83.5	91.5	99.5	107.5	123.5	139.5	155.5	171.5	187.5	203.5	219.5	
<b>Heat Transfer Area (m²)</b>	3.60	4.40	5.60	6.40	7.60	8.60	9.60	11.60	13.60	15.60	17.60	19.60	21.60	23.60	27.60	31.60	35.60	39.60	43.60	47.60	51.60	

\* Calculated values (final tolerance to ISO 2768-m)  
 \*\* PED Category IV (Available as special order or Category III with reduced max working pressure - please contact the sales team)

**Where appropriate the following European standards and regulations were used during design and construction:**  
 EN 13445 (Unfired Pressure Vessels)  
 ISO 2768-m (General tolerances class "m")  
 ISO 228-1 ("G" Thread BSP parallel)  
 EN 10272 (Stainless steel bars used for pressure purposes)  
 EN 10028-7 (Stainless steel flat products used for pressure purposes)  
 Please ask your sales partner if you require other standards or certification to be applied.

©2014 Errors, Omissions and Technical Alterations excepted  
 Material : 1.4301 (304) / 1.4404 (316L) / Cu 99.9%

**UNEX**  
HEAT EXCHANGERS

UNEX Heatexchanger Engineering GmbH  
 Hauptstrasse 17  
 A-7000 Eisenstadt  
 Austria

www.unex-eu.com  
 info@unex-eu.com  
 Tel: + 43 (0) 2682 635 85 0  
 Fax: + 43 (0) 2682 635 85 20

Scale  
**M 1:8 (A3)**

Status	Change	Date	Name
Drawn by	13.08.2014	MPI	
Checked by	09.10.2014	DRO	
Date		Name	