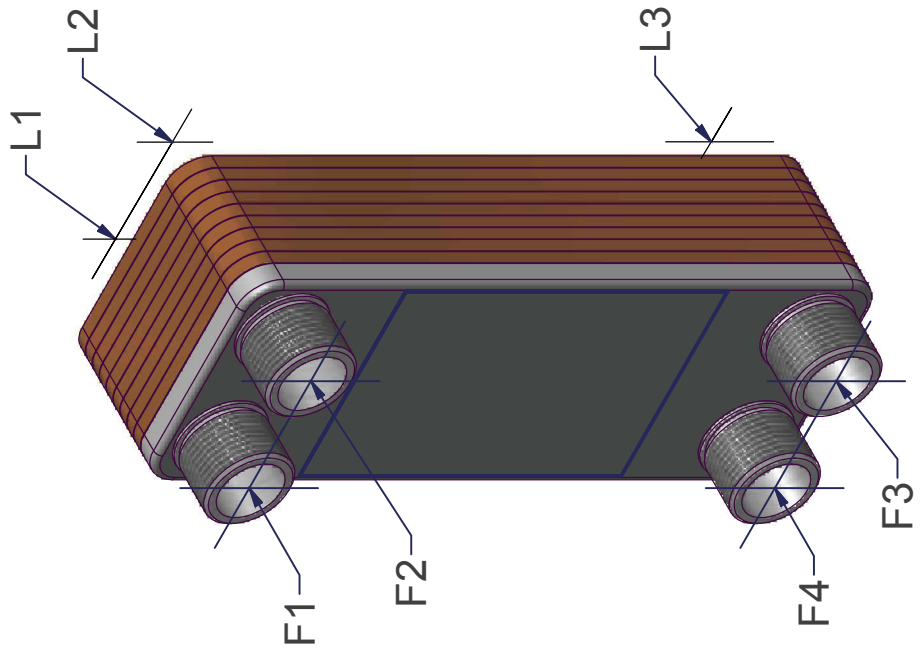
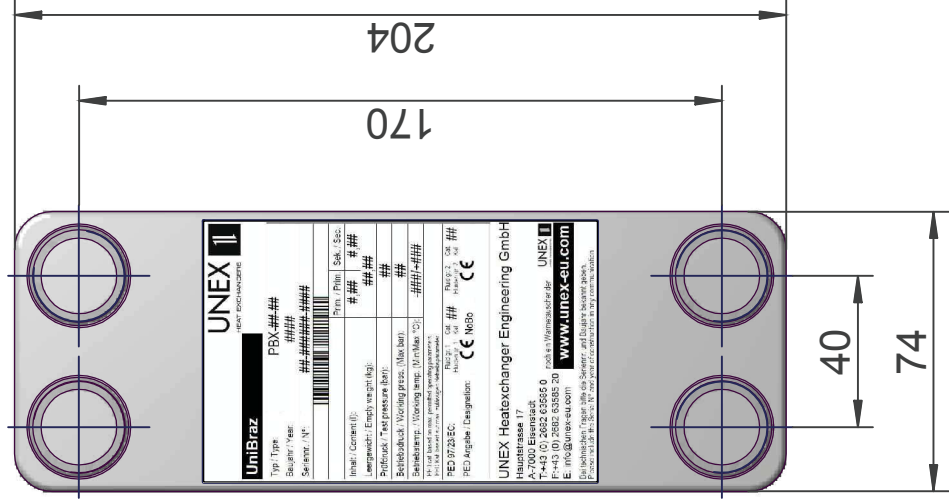


Side 1 Side 2



Exchanger connection options	
Standard	G 3/4" - 20mm long
Alternative	G 1/2", Solder
Other	On request
Additional	On rear positions L1 to L4
Studs & Bolts	On request

Insulation options	
Aluminium coated PU foam (Peak)	Heating applications to +150°C
Self-adhesive rubberised	Cooling applications -50 to +105°C

Mounting options	
Angled Wall Bracket "L" bracket including strap & screws	Example picture

Detachable pipe connection options	
VER15 From G3/4" to DN15 weld (2 pcs/set)	Example picture
VER18 From G3/4" to 18mm solder (2 pcs/set)	
VER1/2 From G3/4" to 1/2" thread (2 pcs/set)	

Where appropriate the following European standards and regulations were used during design and construction:																																				
97/23/EC (Pressure Equipment Directive)	EN 1148 (Water to water heat exchangers for district heating)	EN 10272 (Stainless steel bars used for pressure purposes)	EN 10028-7 (Stainless steel flat products used for pressure purposes)	Please ask your sales partner if you require other standards or certification to be applied.																																
©2014 Errors, Omissions and Technical Alterations excepted																																				
Material : 1.4301 (304) / 1.4404 (316L) / Cu 99.9%																																				
<table border="1"> <tr> <td colspan="2">UNEX</td> <td colspan="2">UNEX Heatexchanger Engineering GmbH</td> <td colspan="2">www.unex-eu.com</td> <td colspan="2">Scale</td> </tr> <tr> <td colspan="2">HEAT EXCHANGERS</td> <td colspan="2">Hauptstrasse 17</td> <td colspan="2">info@unex-eu.com</td> <td colspan="2">M 1:2 (A3)</td> </tr> <tr> <td colspan="2"></td> <td colspan="2">A-7000 Eisenstadt Austria</td> <td colspan="2">Tel: + 43 (0) 2682 635 85 0</td> <td colspan="2">Fax: + 43 (0) 2682 635 85 20</td> </tr> </table>													UNEX		UNEX Heatexchanger Engineering GmbH		www.unex-eu.com		Scale		HEAT EXCHANGERS		Hauptstrasse 17		info@unex-eu.com		M 1:2 (A3)				A-7000 Eisenstadt Austria		Tel: + 43 (0) 2682 635 85 0		Fax: + 43 (0) 2682 635 85 20	
UNEX		UNEX Heatexchanger Engineering GmbH		www.unex-eu.com		Scale																														
HEAT EXCHANGERS		Hauptstrasse 17		info@unex-eu.com		M 1:2 (A3)																														
		A-7000 Eisenstadt Austria		Tel: + 43 (0) 2682 635 85 0		Fax: + 43 (0) 2682 635 85 20																														
<table border="1"> <tr> <td>Status</td> <td>Change</td> <td>Date</td> <td>Name</td> <td>Date</td> <td>Name</td> </tr> <tr> <td></td> <td></td> <td></td> <td></td> <td>12.08.2014</td> <td>MPI</td> </tr> <tr> <td></td> <td></td> <td></td> <td></td> <td>09.10.2014</td> <td>DRO</td> </tr> </table>													Status	Change	Date	Name	Date	Name					12.08.2014	MPI					09.10.2014	DRO						
Status	Change	Date	Name	Date	Name																															
				12.08.2014	MPI																															
				09.10.2014	DRO																															
Amount of plates	10	14	20	24	30	34	40	44	50																											
Volume Side 1 (l)*	0.10	0.15	0.23	0.28	0.35	0.40	0.48	0.53	0.60																											
Volume Side 2 (l)*	0.13	0.18	0.25	0.30	0.38	0.43	0.50	0.55	0.63																											
Max working pressure (bar)	30																																			
Min / Max temperature (°C)	-0/+200																																			
PED Class Group 1 (Category)	SEP																																			
PED Class Group 2 (Category)	SEP																																			
Plate packet depth L(mm)*	30.3	39.2	52.6	61.5	74.9	83.8	97.2	106.1	119.5																											
Net Weight Empty (kg)	1.20	1.40	1.70	1.90	2.20	2.40	2.70	2.90	3.20																											
Heat Transfer Area (m²)	0.11	0.17	0.25	0.31	0.39	0.44	0.53	0.58	0.67																											
* Calculated values (final tolerance to ISO 2768-m)																																				